



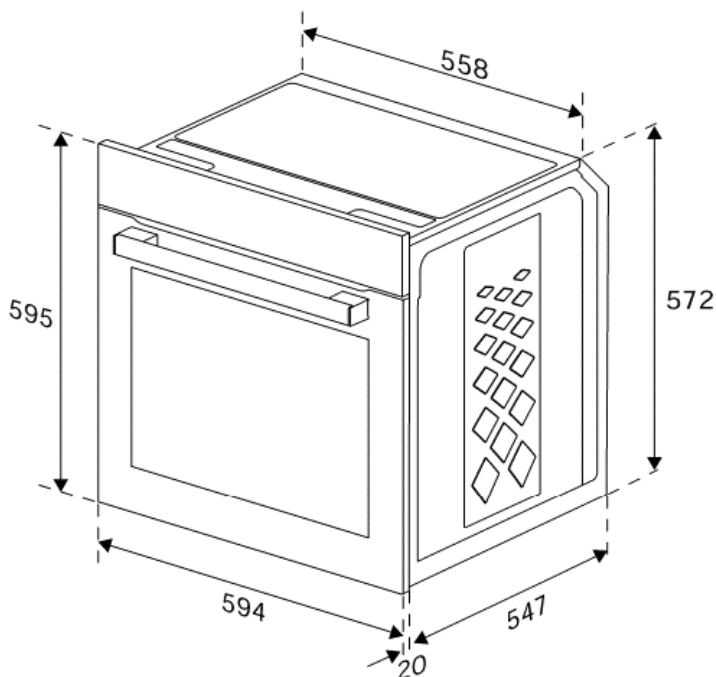
VENTURA

MODEL : GEBE11200X

Specification



- - Mechanical Programming Device
 - Oven with 70 liter cavity
 - 6 Cooking functions
 - Crystal Door easily removable
 - Easily removable side racks, 5 levels
 - Internal light of a halogen lamp
 - Energy efficiency class A
 - Sound power: 46 dB (A)
 - Tangential cooling ventilation system
 - H x W x D: 595 x 594 x 547 mm
 - Black Crystal and Stainless Steel or Black Finish



GRUNDIG

3 YEARS WARRANTY P&L

Blomberg

GRUNDIG

Midea

simfer

AVG



+356 2167 7798



sales@venturamalta.com
service@venturamalta.com



www.venturamalta.com



Ventura Factory, B21, Bulebel Industrial Estate
Ventura Building, 1, Aldo Moro Street, Marsa
Ventura Paola, Pjazza A. De Paule, Paola
Ventura Hamrun, High Street, Hamrun

find us on

