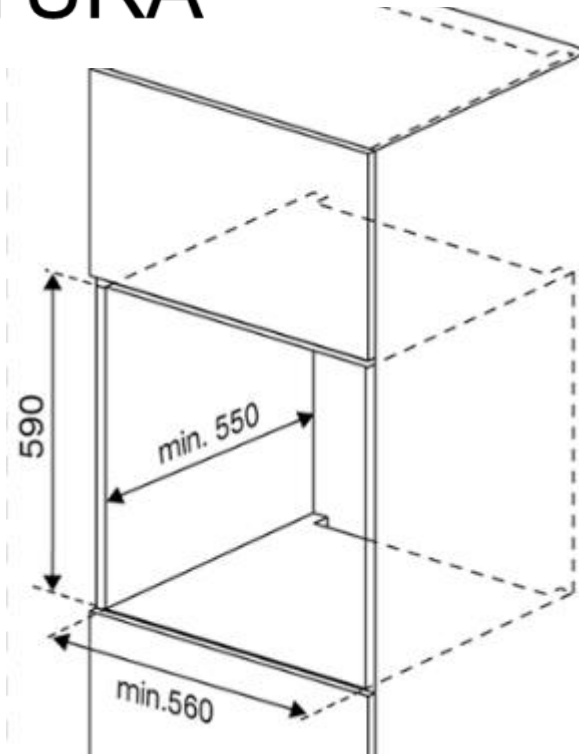




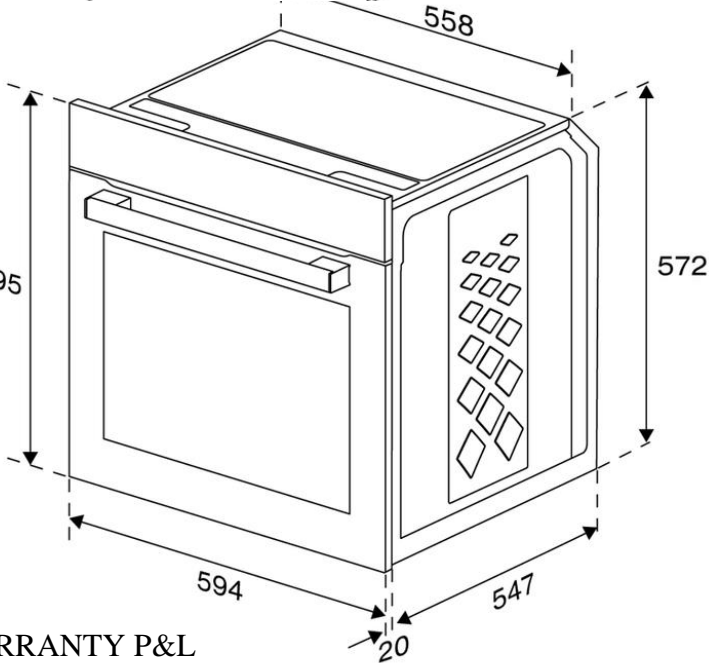
VENTURA

MODEL: GE BM19100B



Technical data Overview

- Type of self-cleaning: Steam cleaning
- Accessories: 3 baking trays and 1 wire rack
- Hot air function
- Type of operation: Switches
- Oven volume: 72 litres
- Energy class: A
- Net dimensions without packaging (D x W x H): 595 x 594 x 572 mm
- 8 programs:
 - - 3D cooking
 - - Conventional cooking
 - - Fan heating
 - - Fan assisted cooking
 - - Defrost
 - - Bottom heating
 - - Electric grill
 - - Simple steam cleaning



3 YEARS WARRANTY P&L

Blomberg **GRUNDIG** **Midea** **simter** **AVG**



+356 2167 7798



sales@venturamalta.com
service@venturamalta.com



www.venturamalta.com



Ventura Factory, B21, Bulebel Industrial Estate
Ventura Building, 1, Aldo Moro Street, Marsa
Ventura Paola, Pjazza A. De Paule, Paola
Ventura Hamrun, High Street, Hamrun

find us on

