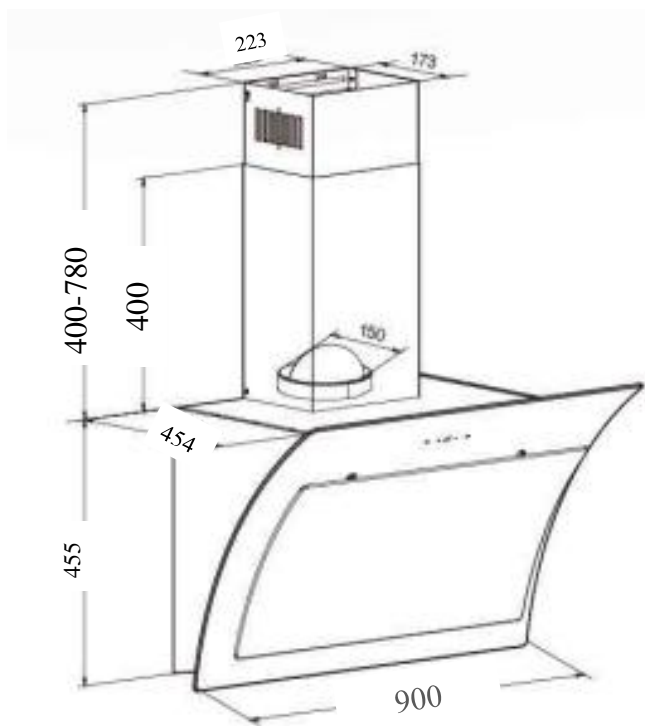




VENTURA

Model: 6027-900



MODEL: 6027

Specification

Measurement:	600/700/900mm
Materials:	SS430+tempered glass
Airflow:	550m ³ /h
Power:	1*100W
Light:	2*1.5W LED
Filter:	1 pcs aluminum filter
Switch:	Digital Touch Control
Chimney Height:	400+400mm



Blomberg

GRUNDIG

Midea

simfer

AIG



+356 2167 7798



sales@venturamalta.com
service@venturamalta.com



www.venturamalta.com



Ventura Factory, B21, Bulebel Industrial Estate
Ventura Building, 1, Aldo Moro Street, Marsa
Ventura Paola, Pjazza A. De Paule, Paola
Ventura Hamrun, High Street, Hamrun

find us on

