



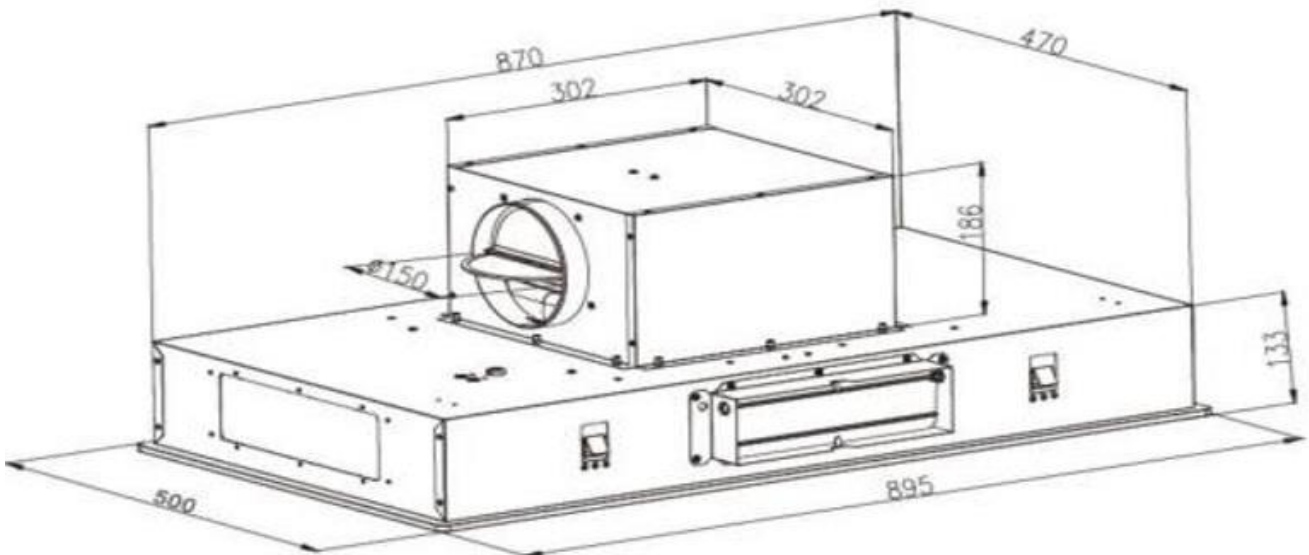
VENTURA

MODEL : 8005A-900 WHT/BLK



Specifications

- Measurement: 900mm
- Materials: SS430+tempered glass
- Airflow: 500m/h
- Power: 1*100W
- Light: 2*3 6W LED belt
- Filter: 2 pcs aluminium filter
- Switch: Invisible touch control
- Airflow: 750/1000m/h – 750m/h (Erp: A class) A+, A++
- Colour: Black and White... Colour painting
- Switch: LCD Touch Control
- Filter: Charcoal Filter



Blomberg

GRUNDIG

Midea

simfer

AG



+356 2167 7798



sales@venturamalta.com
service@venturamalta.com



www.venturamalta.com



Ventura Factory, B21, Bulebel Industrial Estate
Ventura Building, 1, Aldo Moro Street, Marsa
Ventura Paola, Pjazza A. De Paule, Paola
Ventura Hamrun, High Street, Hamrun

find us on

