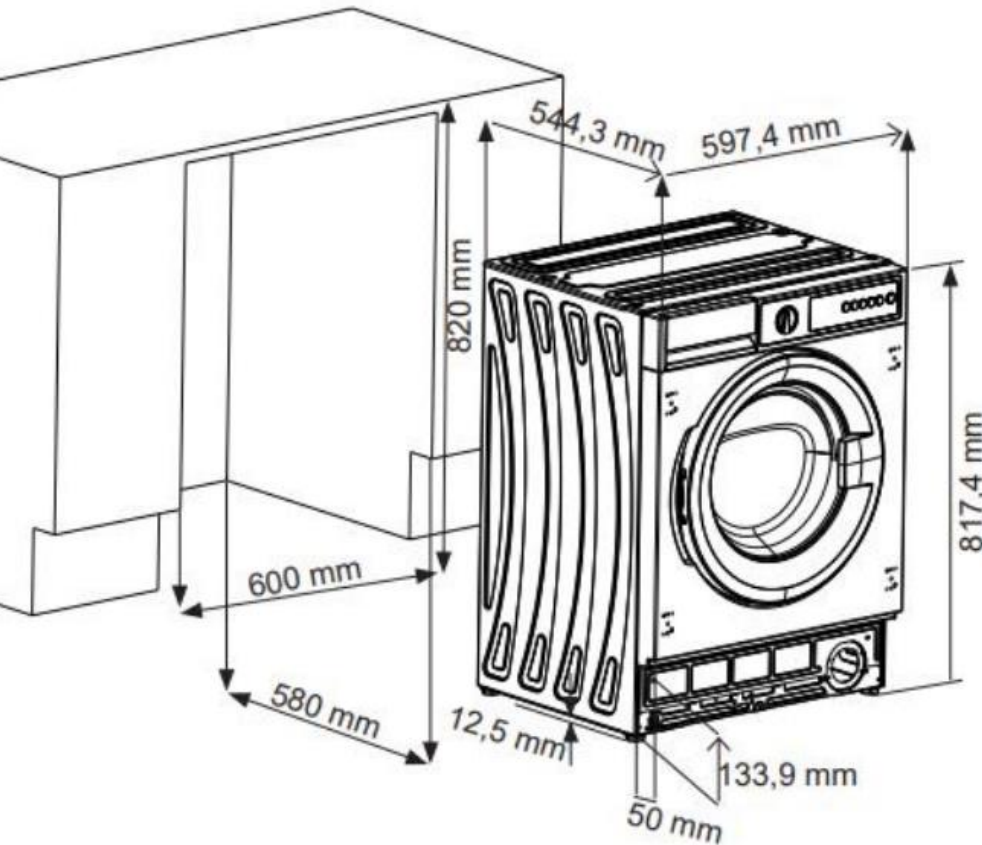




VENTURA

MODEL: BIN71200T1



Additional information

Style
BUILT IN

Max Load
7Kg

Spin Speed (rpm)
1200

15 programs

Variable temperature & spin

817.4 x 597.4 x 544.3
H x W x D



2 YEARS WARRANTY P&L

Blomberg

GRUNDIG

Midea

simfer

AIG



+356 2167 7798



sales@venturamalta.com
service@venturamalta.com



www.venturamalta.com



Ventura Factory, B21, Bulebel Industrial Estate
Ventura Building, 1, Aldo Moro Street, Marsa
Ventura Paola, Pjazza A. De Paule, Paola
Ventura Hamrun, High Street, Hamrun

find us on

